

MİMARİ KATALOG  
ARCHITECTURAL CATALOGUE

Alüminyum Kapı Pencere ve Giydirme Cephe Sistemleri  
Aluminium Window Doors and Facade Systems

 **RESCARA**



**RGK35**

**MİMARİ KATALOG**  
**ARCHITECTURAL CATALOGUE**

Alüminyum Kapı Pencere ve Giydirme Cephe Sistemleri  
Aluminium Window Doors and Facade Systems



Rescara Sistem Detayları  
Rescara System Details

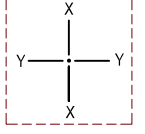
# RGK35

PROFİLLER

---

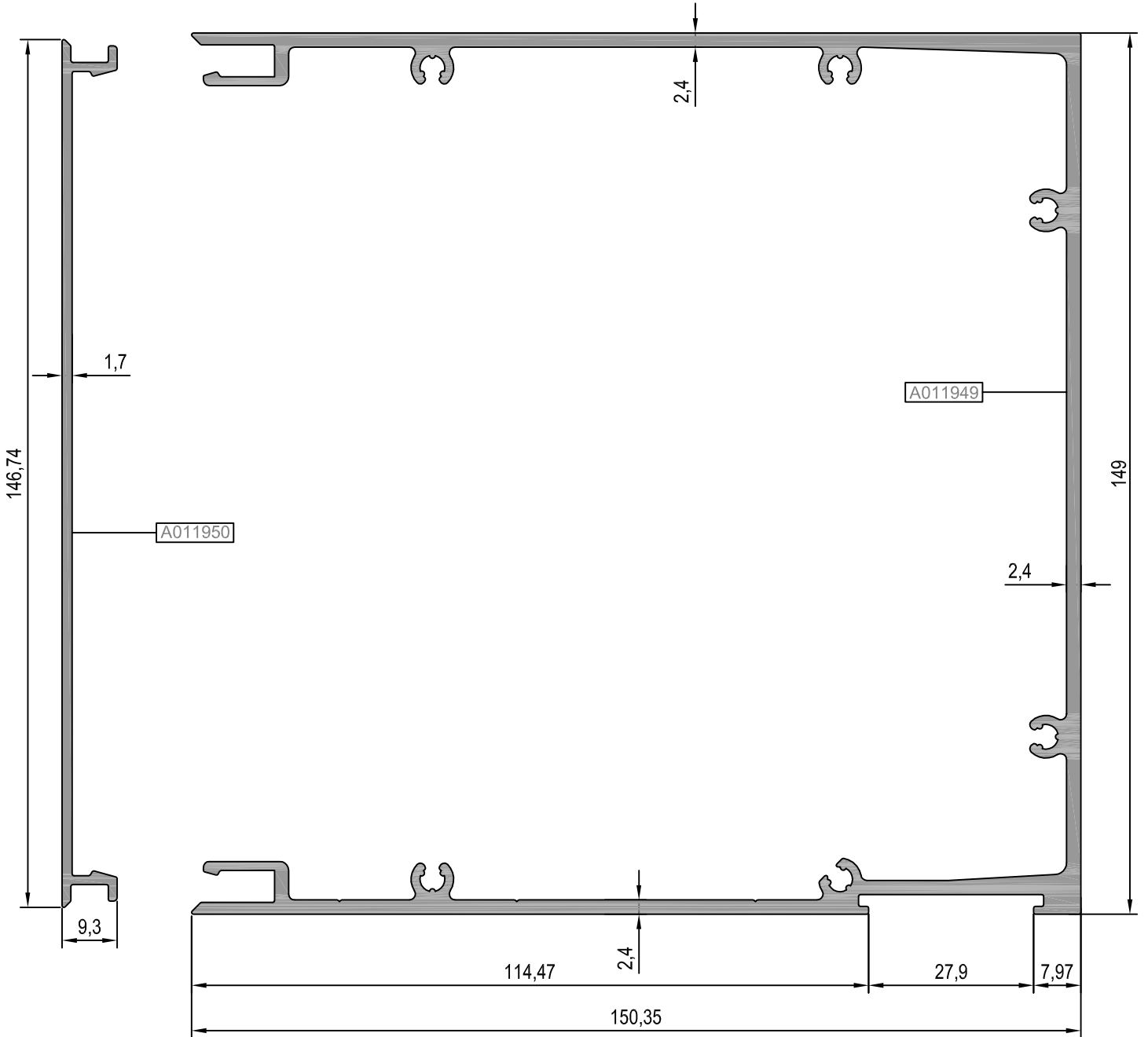
PROFILES

KOD / CODE	AĞIRLIK (kg/m) / WEIGHT	L m	
GK35 B 01	3,587	6	
GK35 B 03	0,761	6	

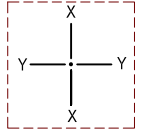


GK35 B 03

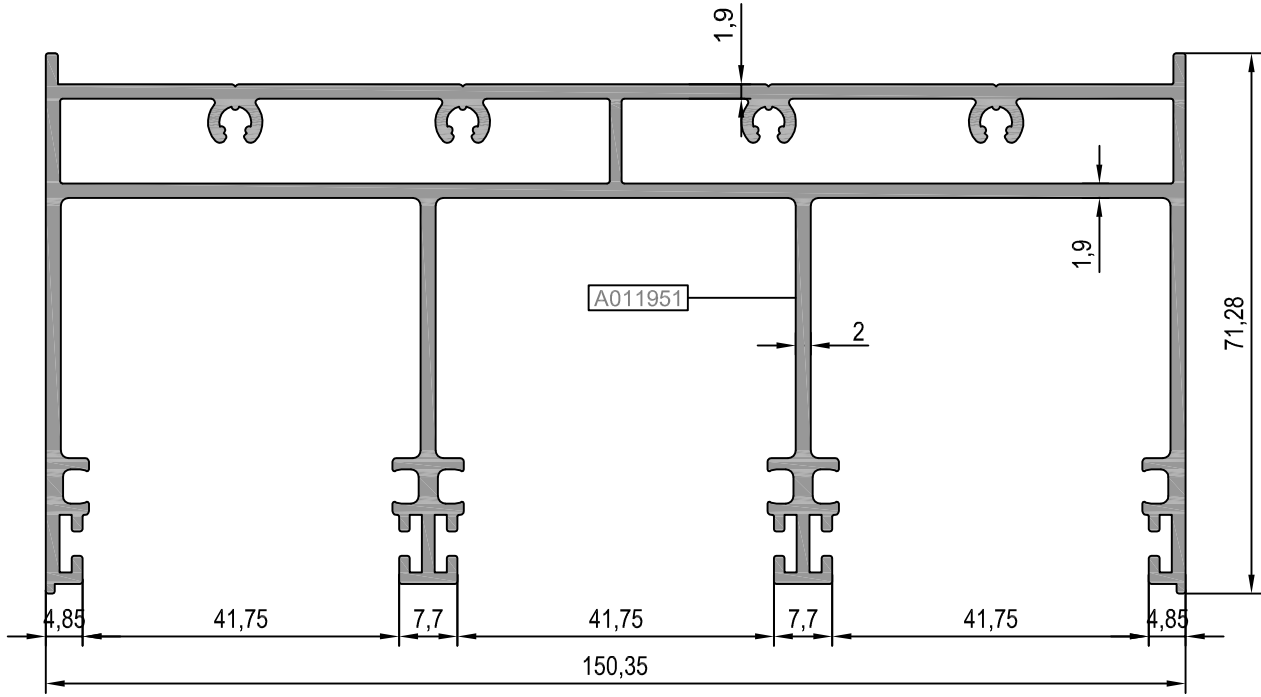
GK35 B 01



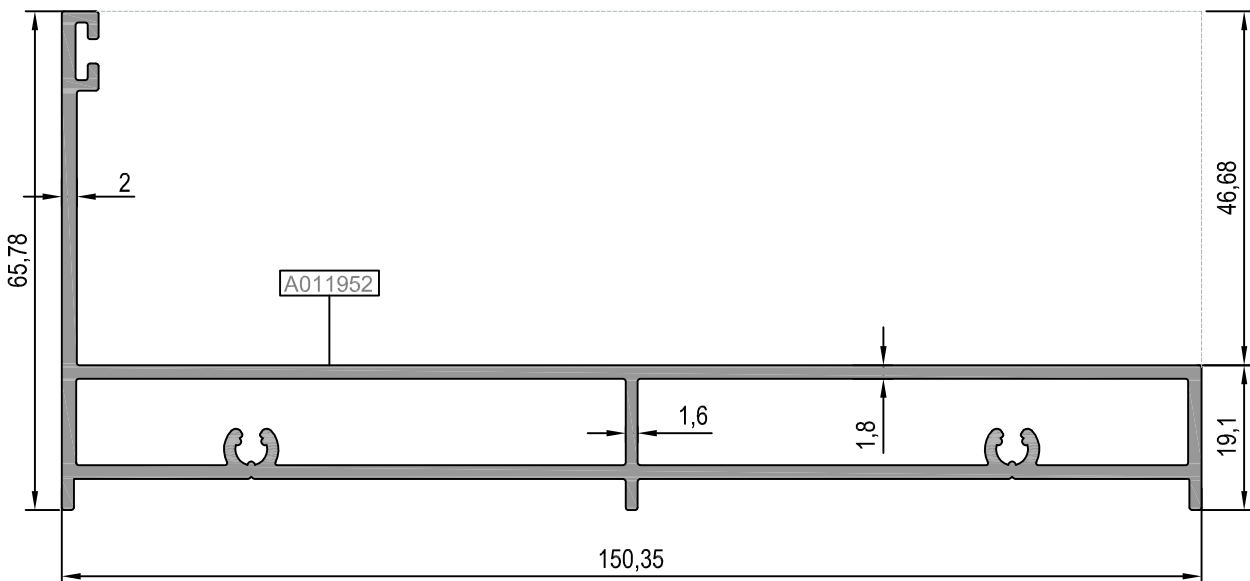
KOD / CODE	AĞIRLIK (kg/m) / WEIGHT	L m	
GK35 F 01	3,469	6	
GK35 F 02	2,066	6	



GK35 F 01

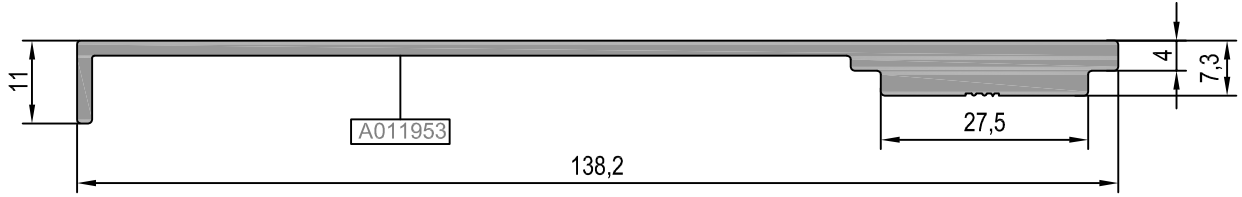


GK35 F 02

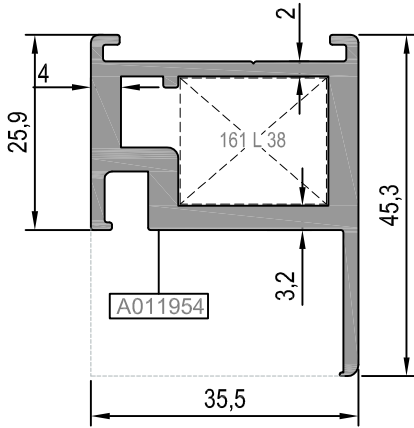


KOD / CODE	AĞIRLIK (kg/m) / WEIGHT	L m	
GK35 A 01	1,233	6	
GK35 V 01	1,071	6	
GK35 G 01	0,149	6	
GK35 A 02	0,821	6	
GK35 A 03	0,192	6	

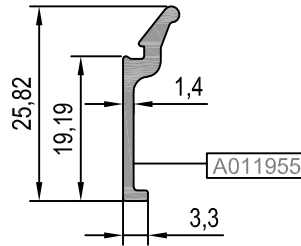
GK35 A 01



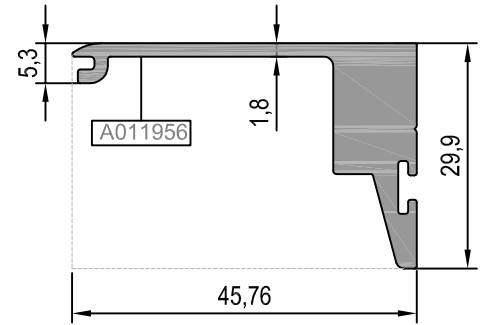
GK35 V 01



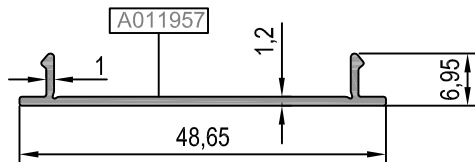
GK35 G 01



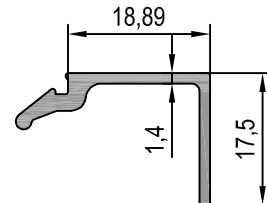
GK35 A 02



GK35 A 03

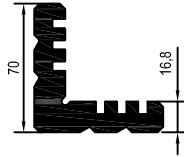


\*\*GK35 G XX



\*\*Kalıp aktif değildir. Sipariş üzerine yapılacaktır.  
The die is not active. It will be produced by order.

KÖŞE TAKOZLARI (CORNER CLEATS)

PROFİL KODU (PROFILE CODE)	25 L 38			
FABRİKA KODU (FACTORY CODE)	A002074			
AĞIRLIK (WEIGHT)	4,854 kg/m			
ÇİZİM (DRAWING)				

**MİMARİ KATALOG**  
**ARCHITECTURAL CATALOGUE**

Alüminyum Kapı Pencere ve Giydirme Cephe Sistemleri  
Aluminium Window Doors and Facade Systems



Rescara Sistem Detayları  
Rescara System Details

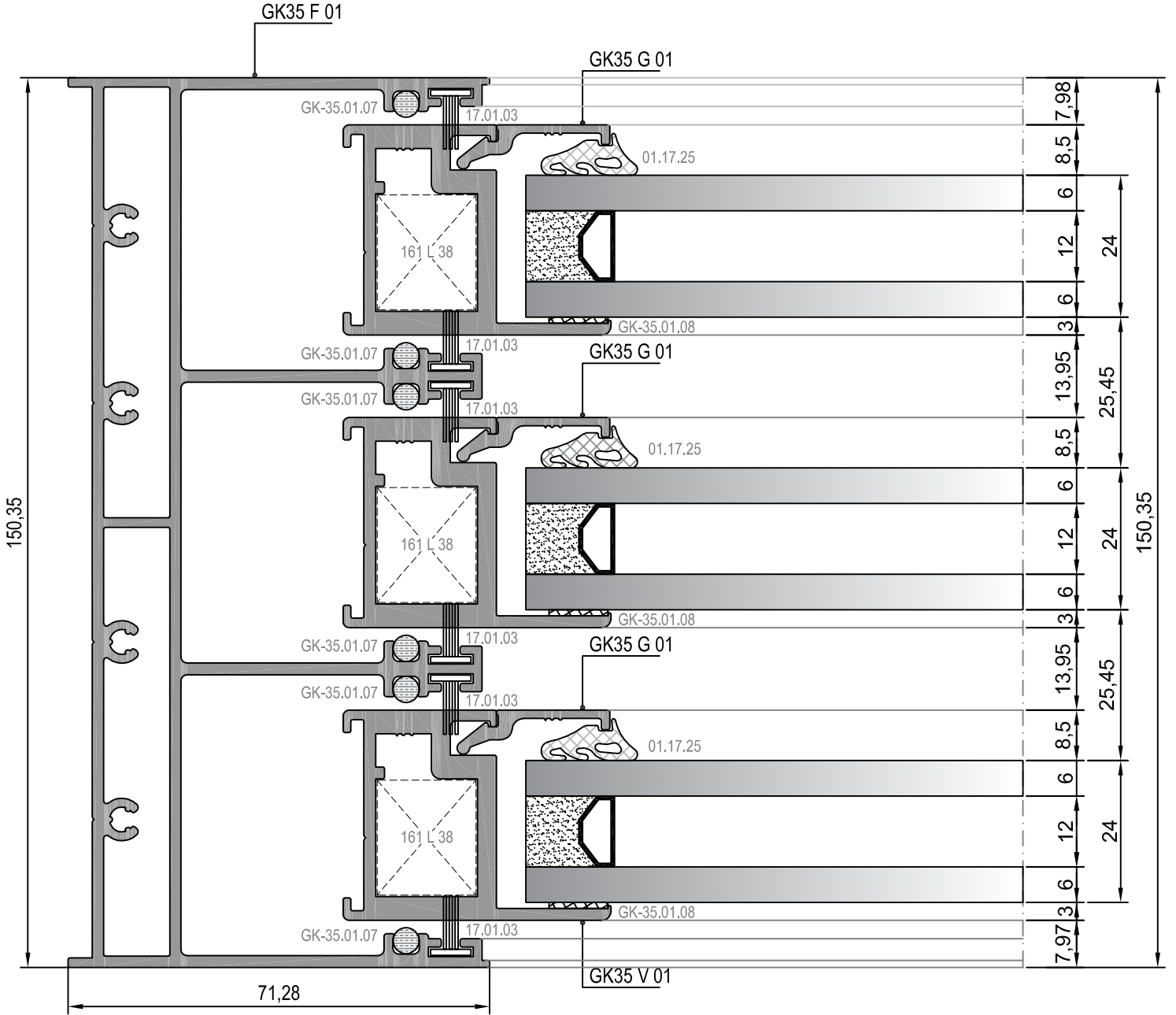
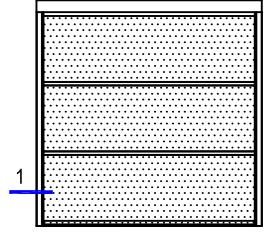
# RGK35

DETAYLAR

---

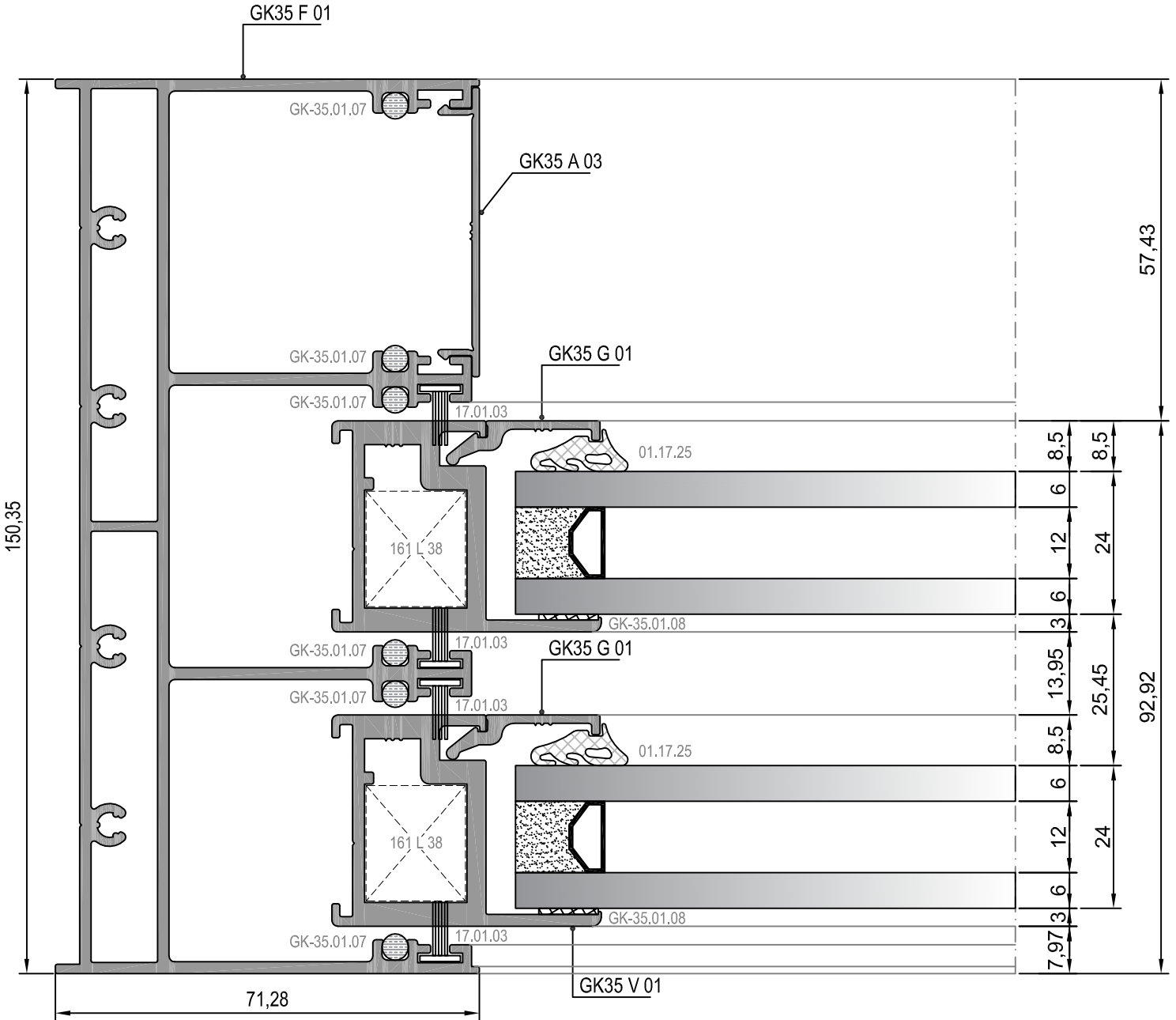
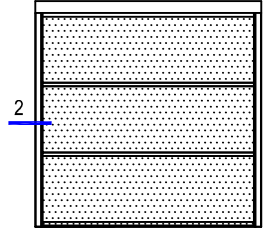
DETAILS

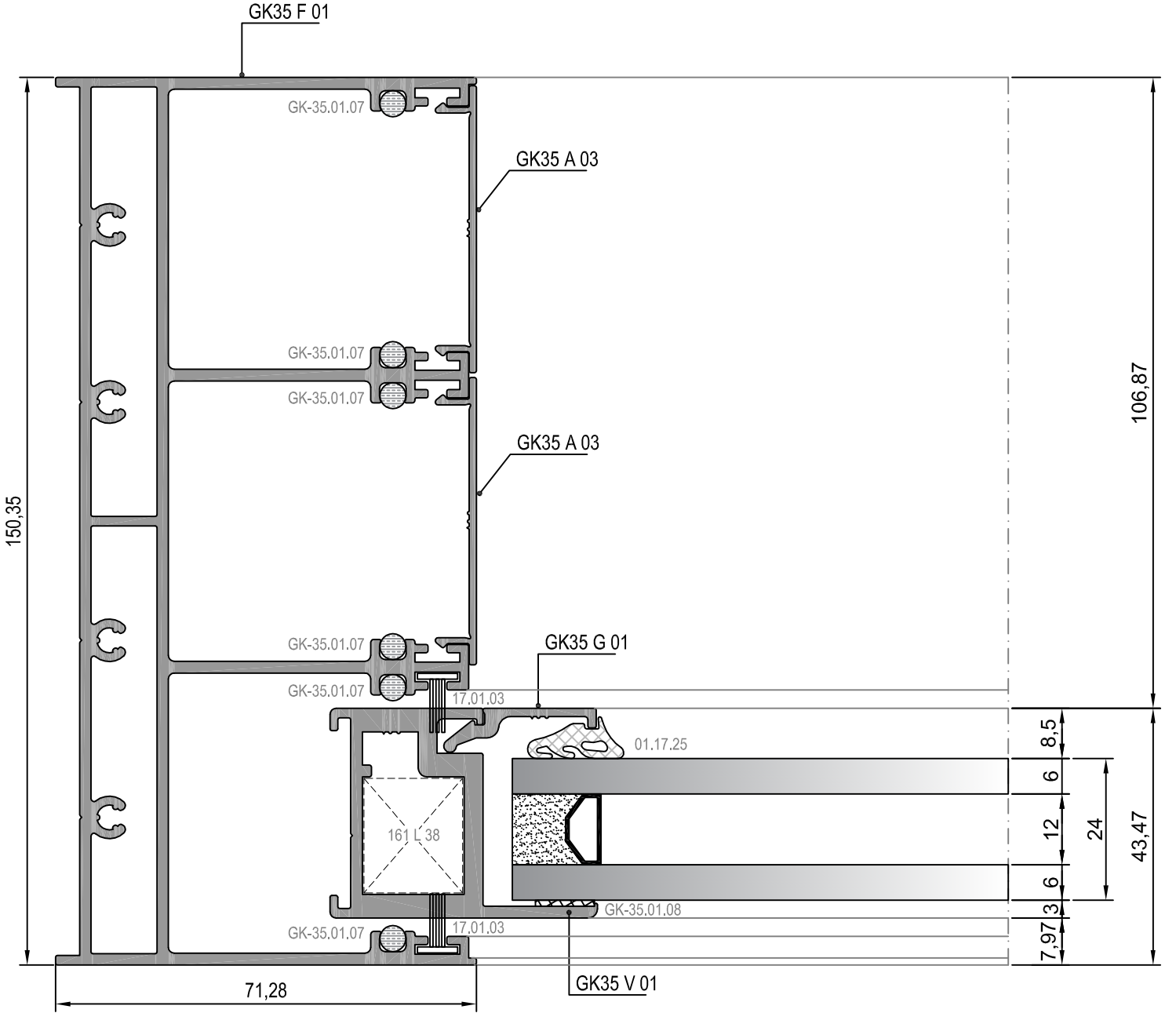
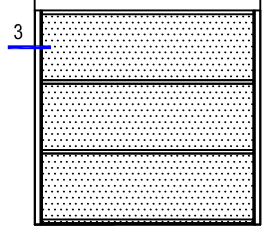
ÇİFT CAMLI DETAYLAR  
DOUBLE GLAZED DETAILS



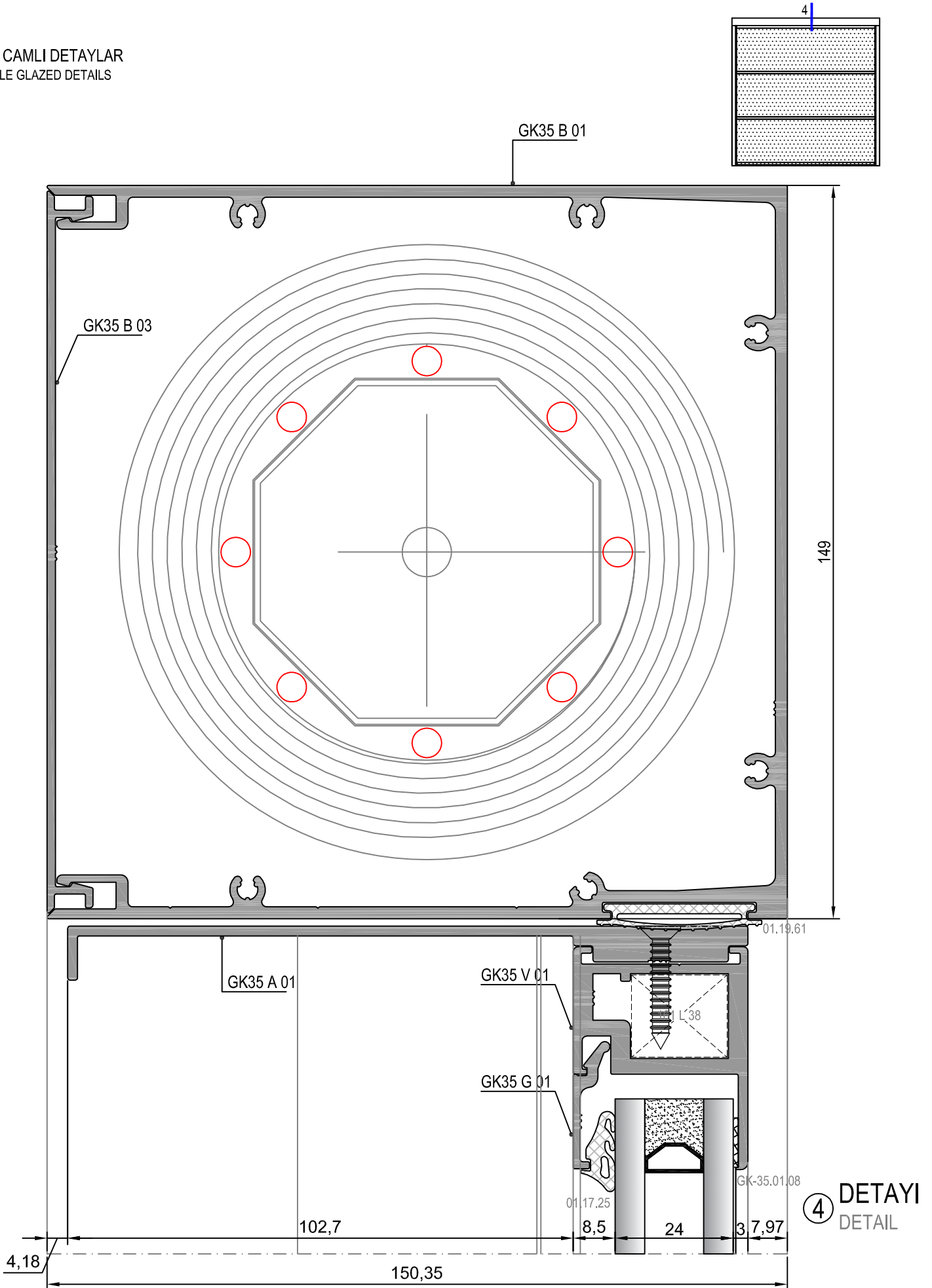
① DETAYI  
DETAIL



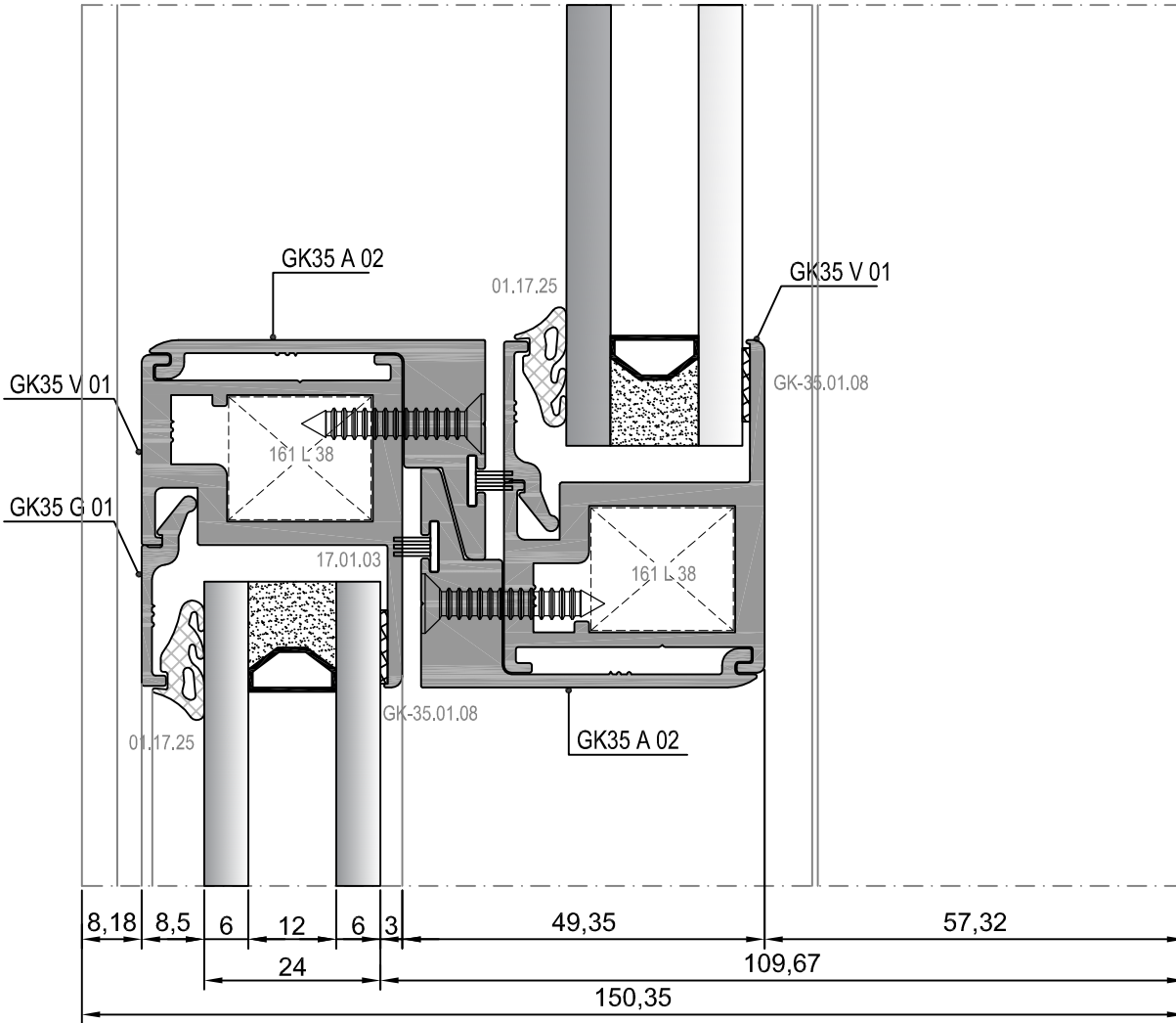




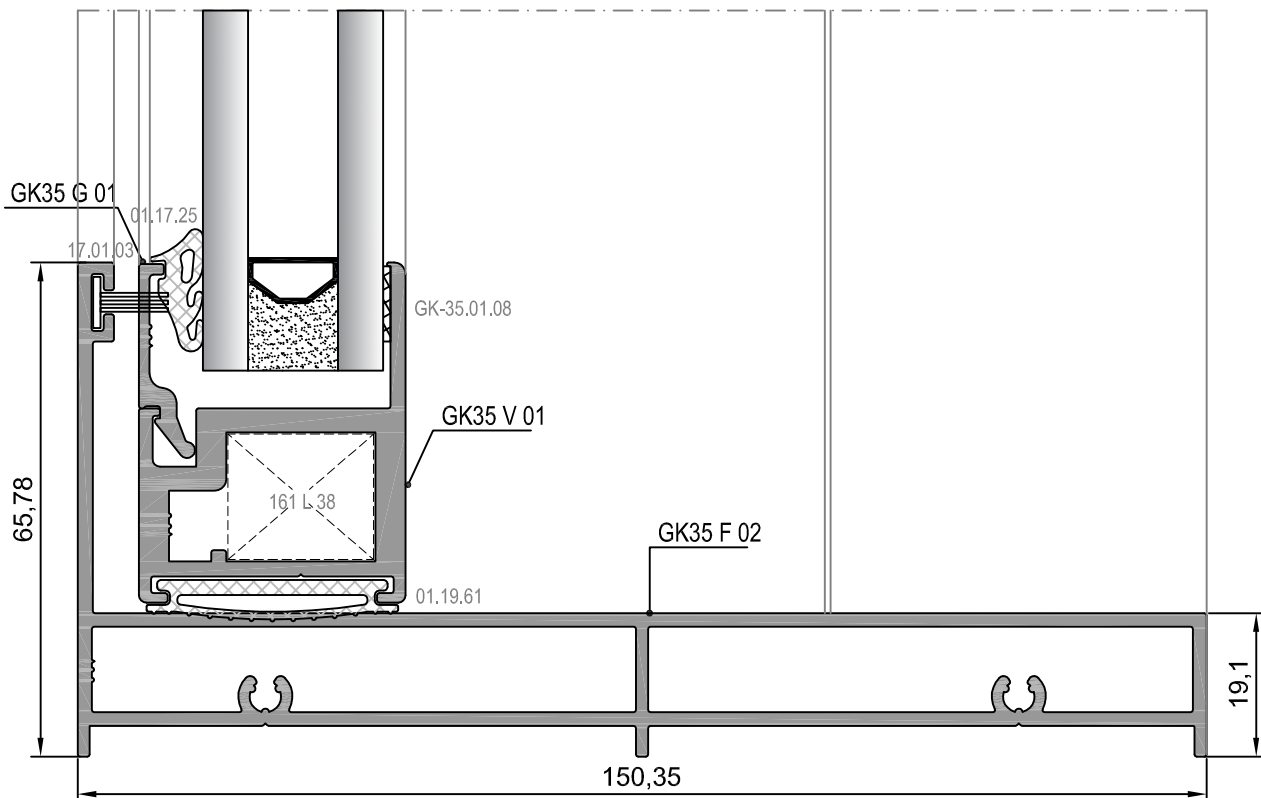
ÇİFT CAMLI DETAYLAR  
DOUBLE GLAZED DETAILS



ÇİFT CAMLI DETAYLAR  
DOUBLE GLAZED DETAILS

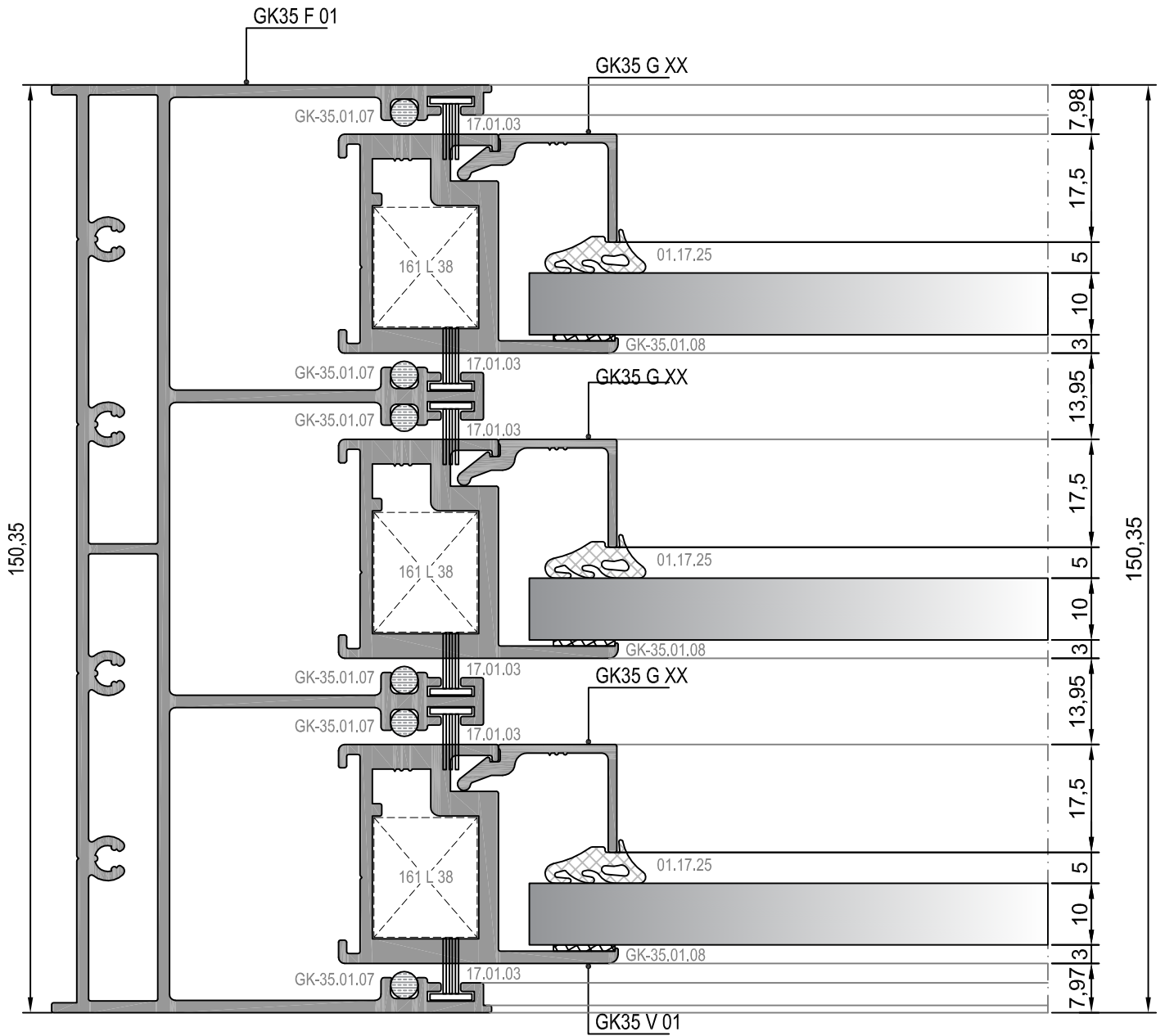
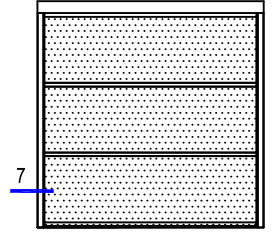


⑤ DETAYI  
DETAIL

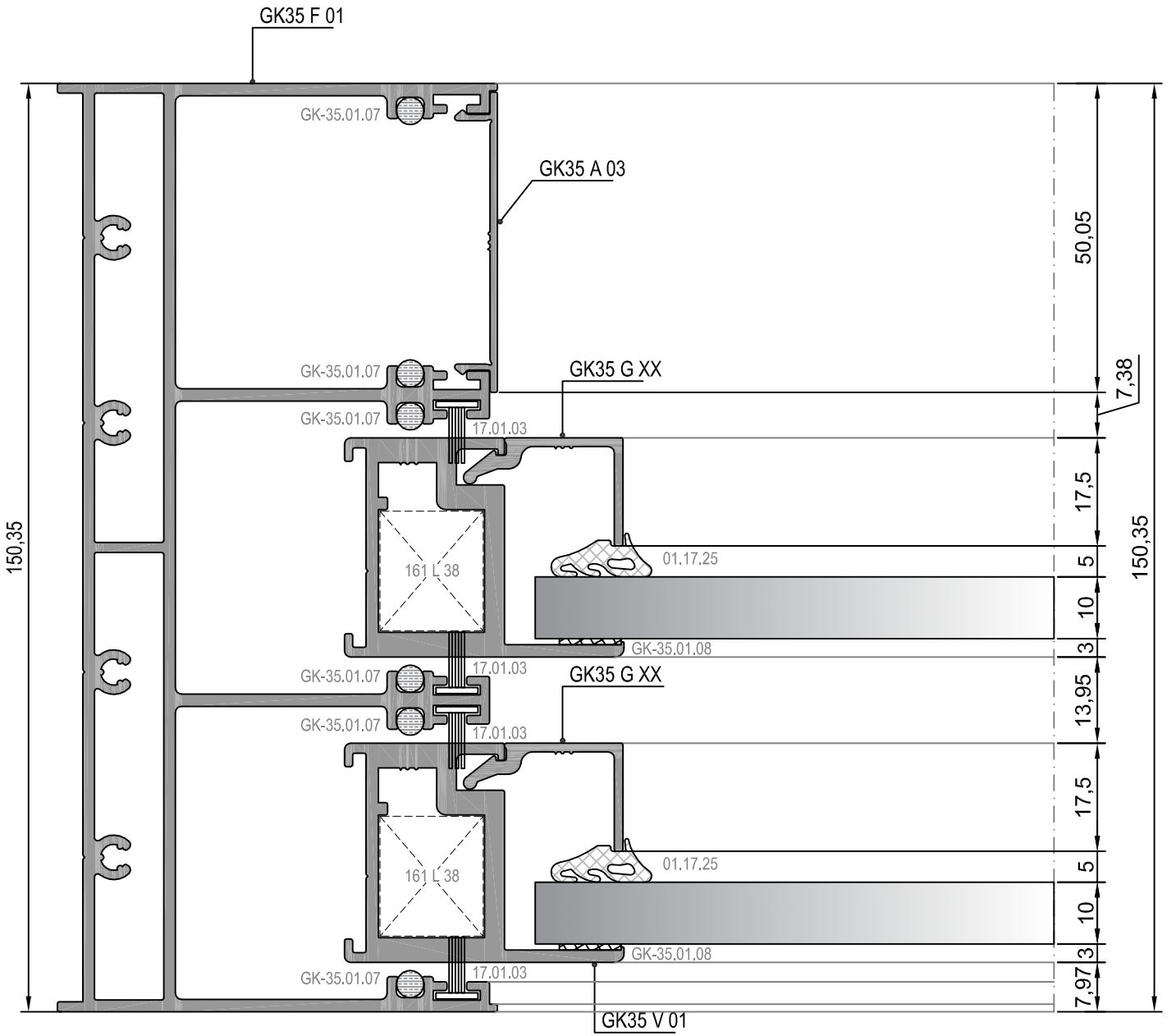
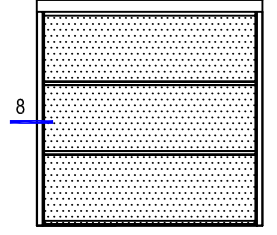


⑥ DETAYI  
DETAIL

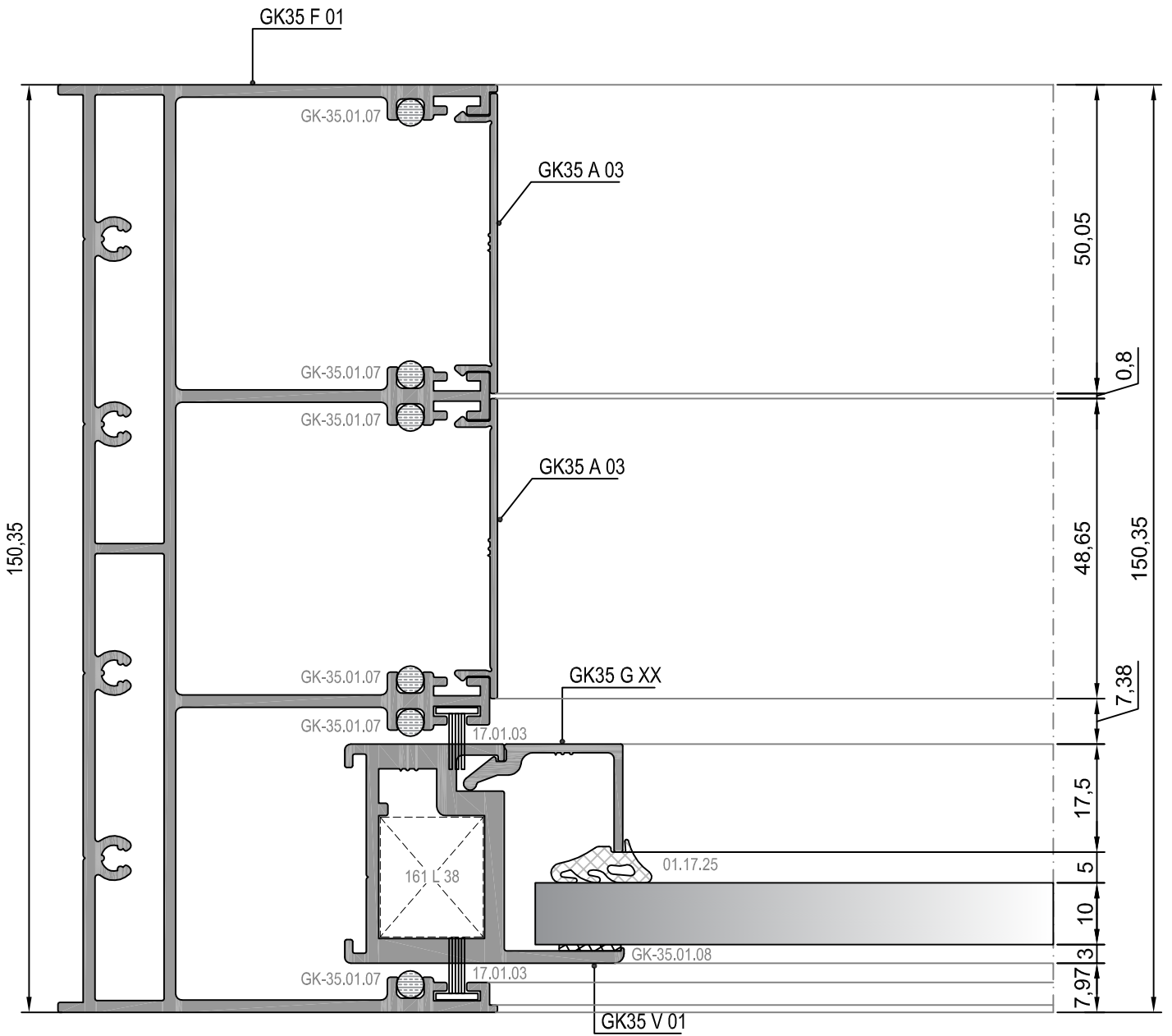
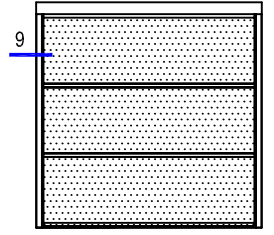
TEK CAMLI DETAYLAR (10 mm)  
SINGLE GLAZED DETAILS (10 mm)



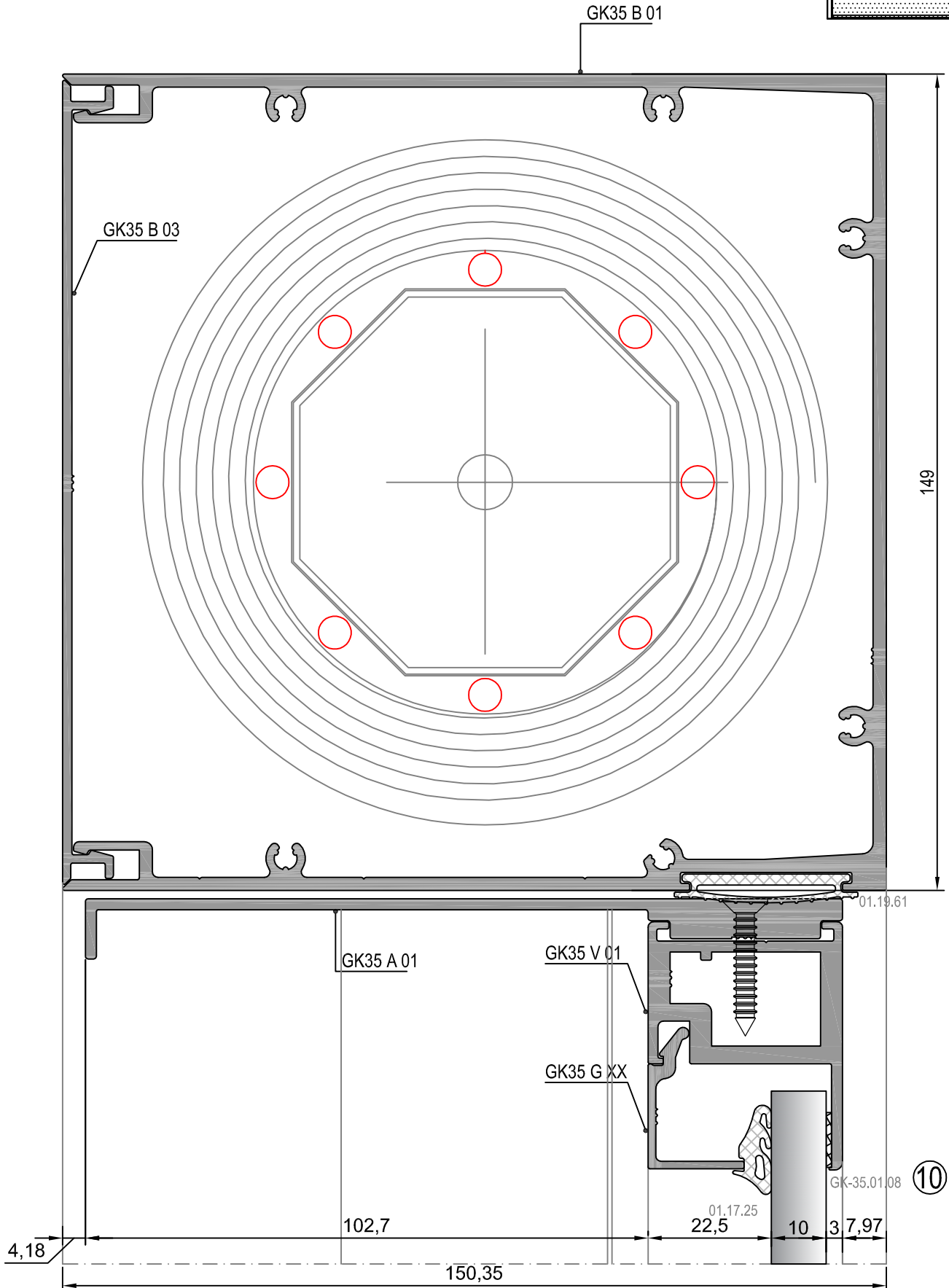
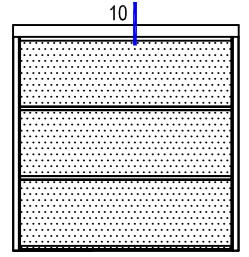
TEK CAMLI DETAYLAR (10 mm)  
SINGLE GLAZED DETAILS (10 mm)



TEK CAMLI DETAYLAR (10 mm)  
SINGLE GLAZED DETAILS (10 mm)



TEK CAMLI DETAYLAR (10 mm)  
SINGLE GLAZED DETAILS (10 mm)

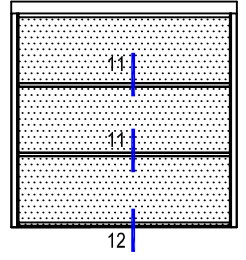
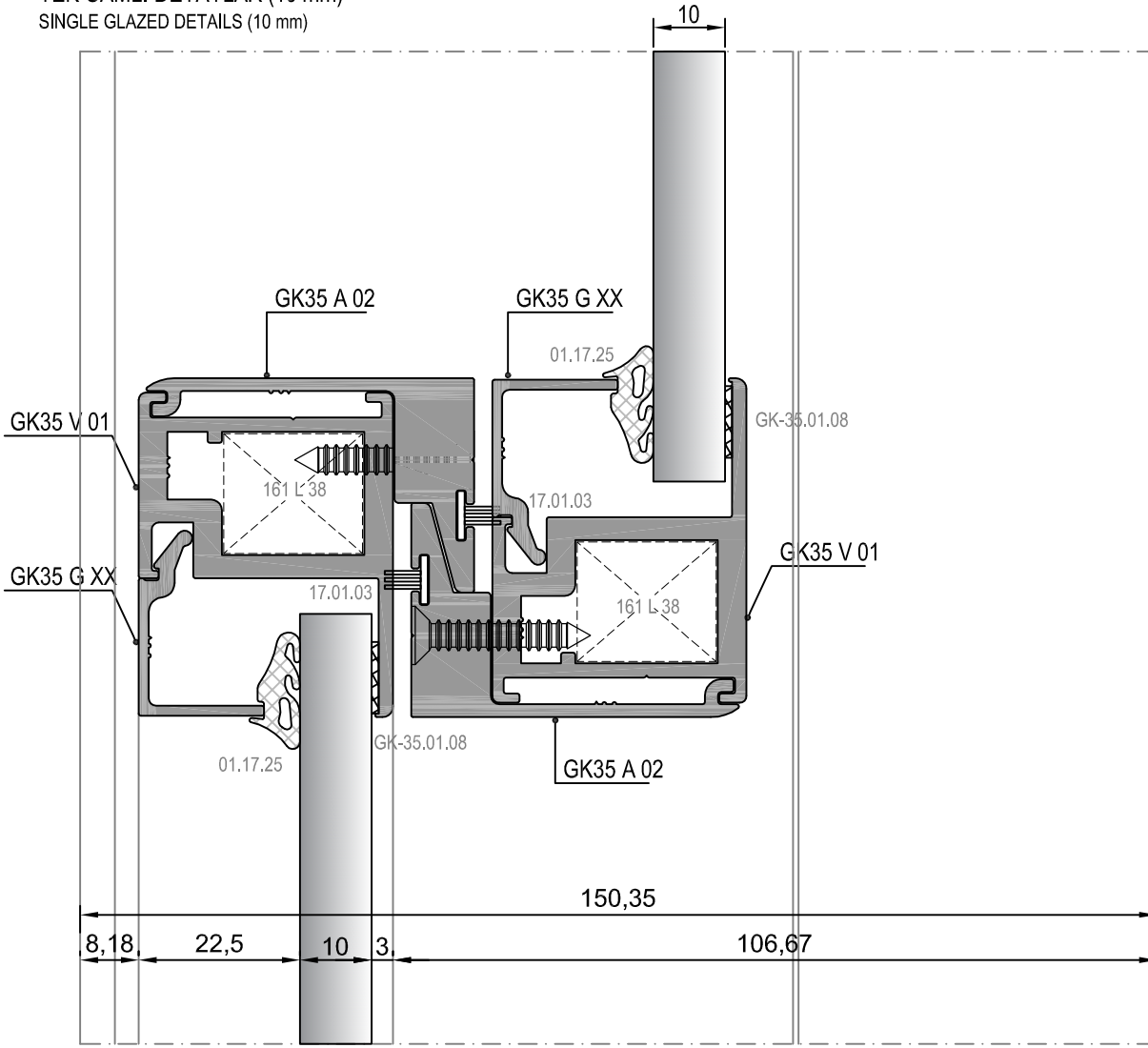




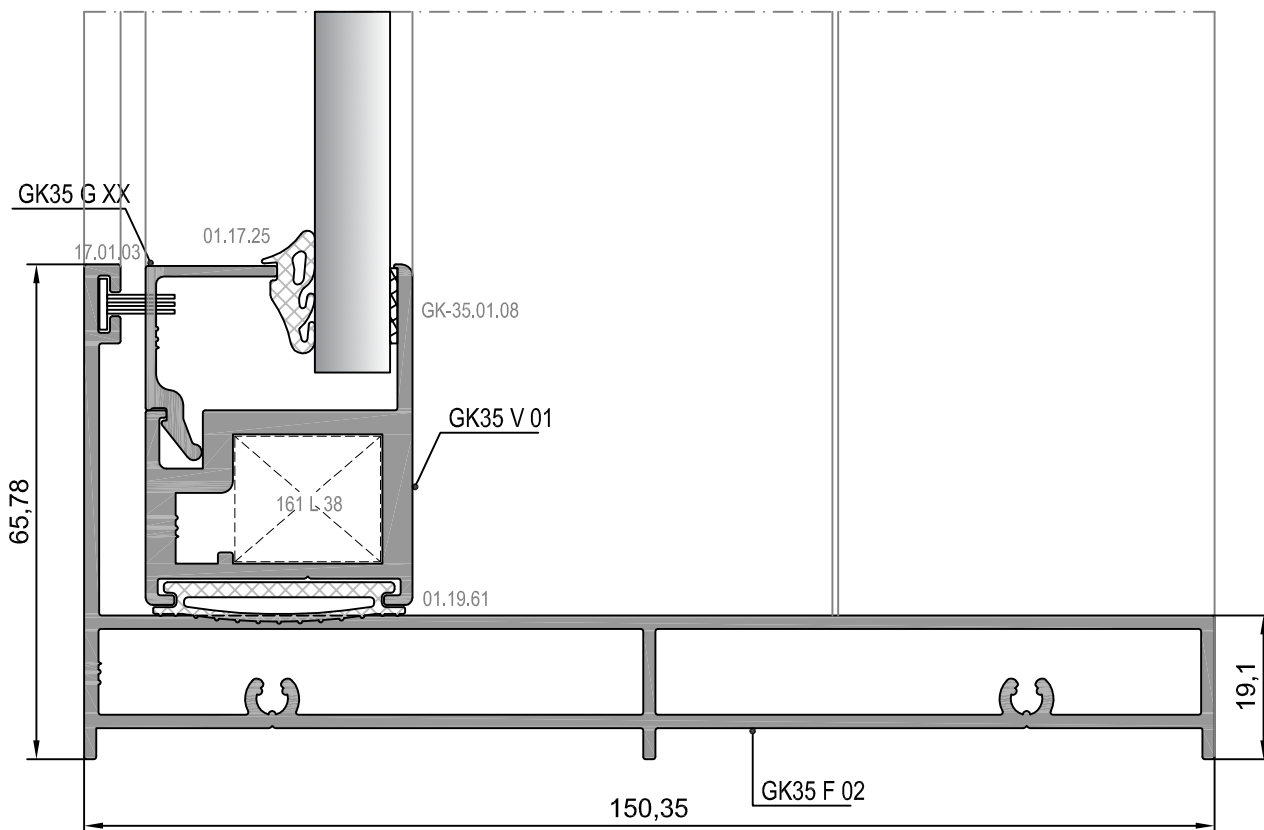
DEAYLAR  
DETAILS

# RGK35

TEK CAMLI DETAYLAR (10 mm)  
SINGLE GLAZED DETAILS (10 mm)

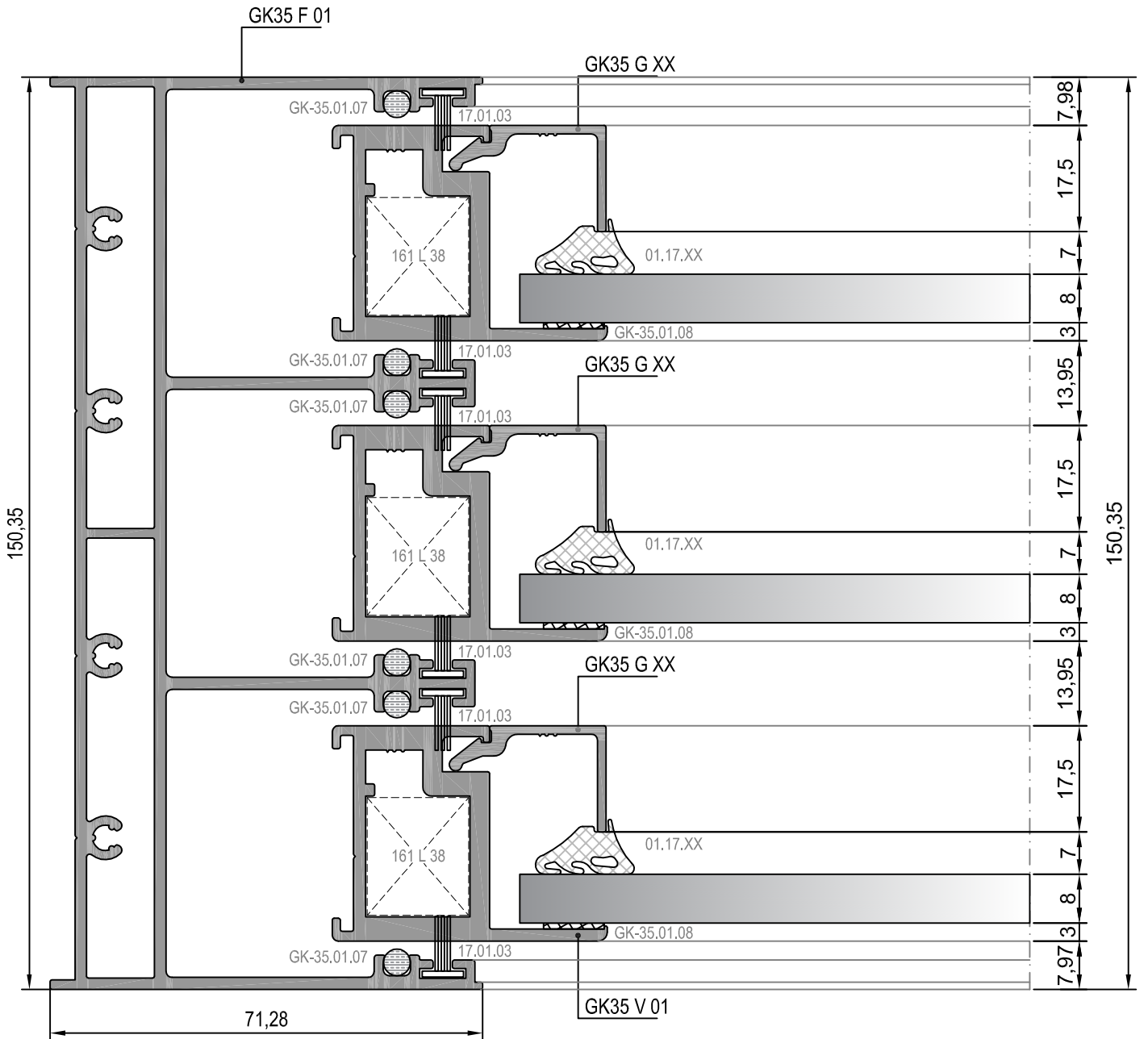
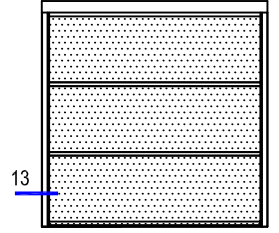


11 DETAYI  
DETAIL

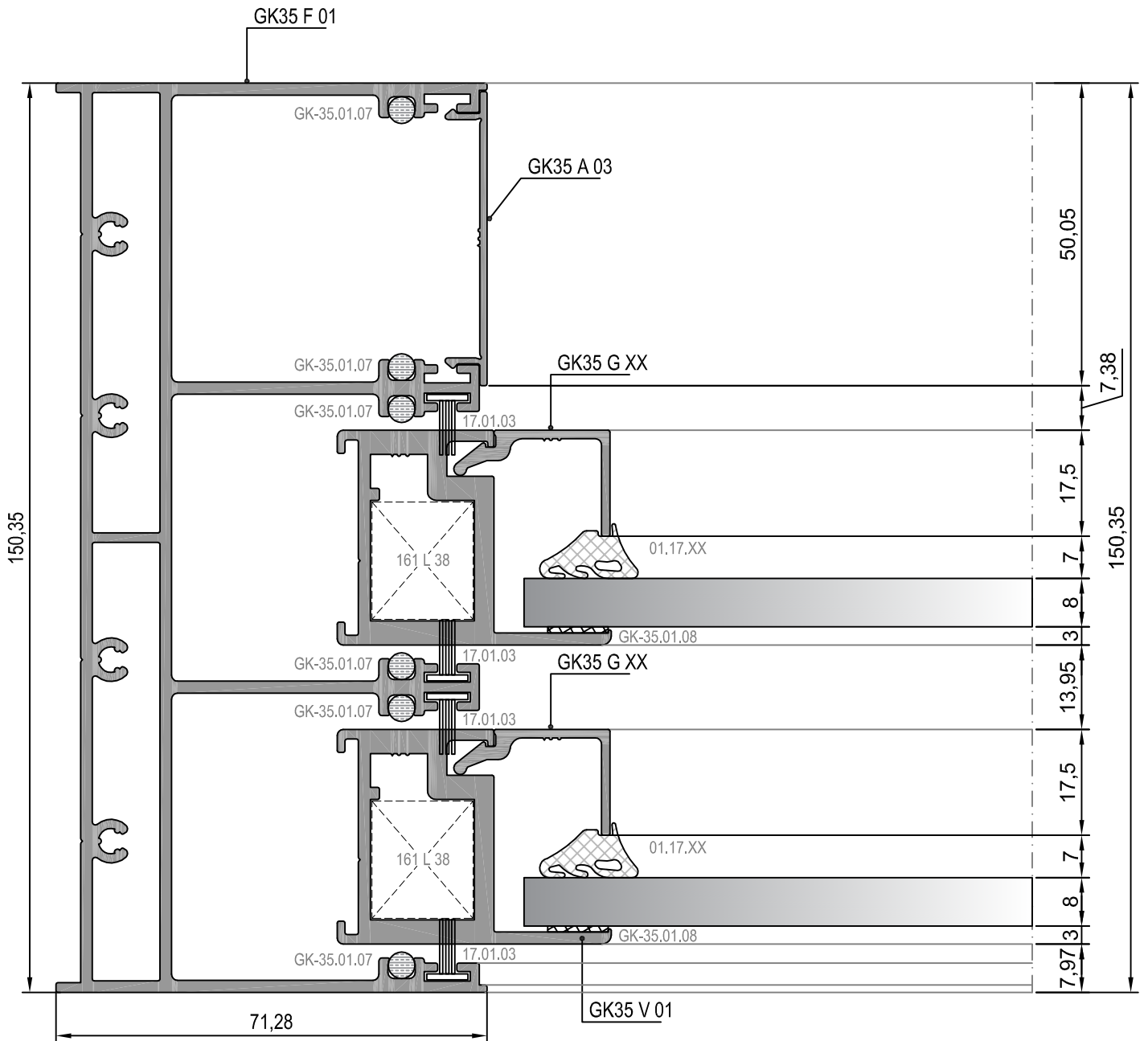
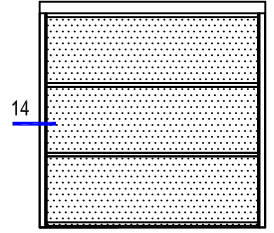


12 DETAYI  
DETAIL

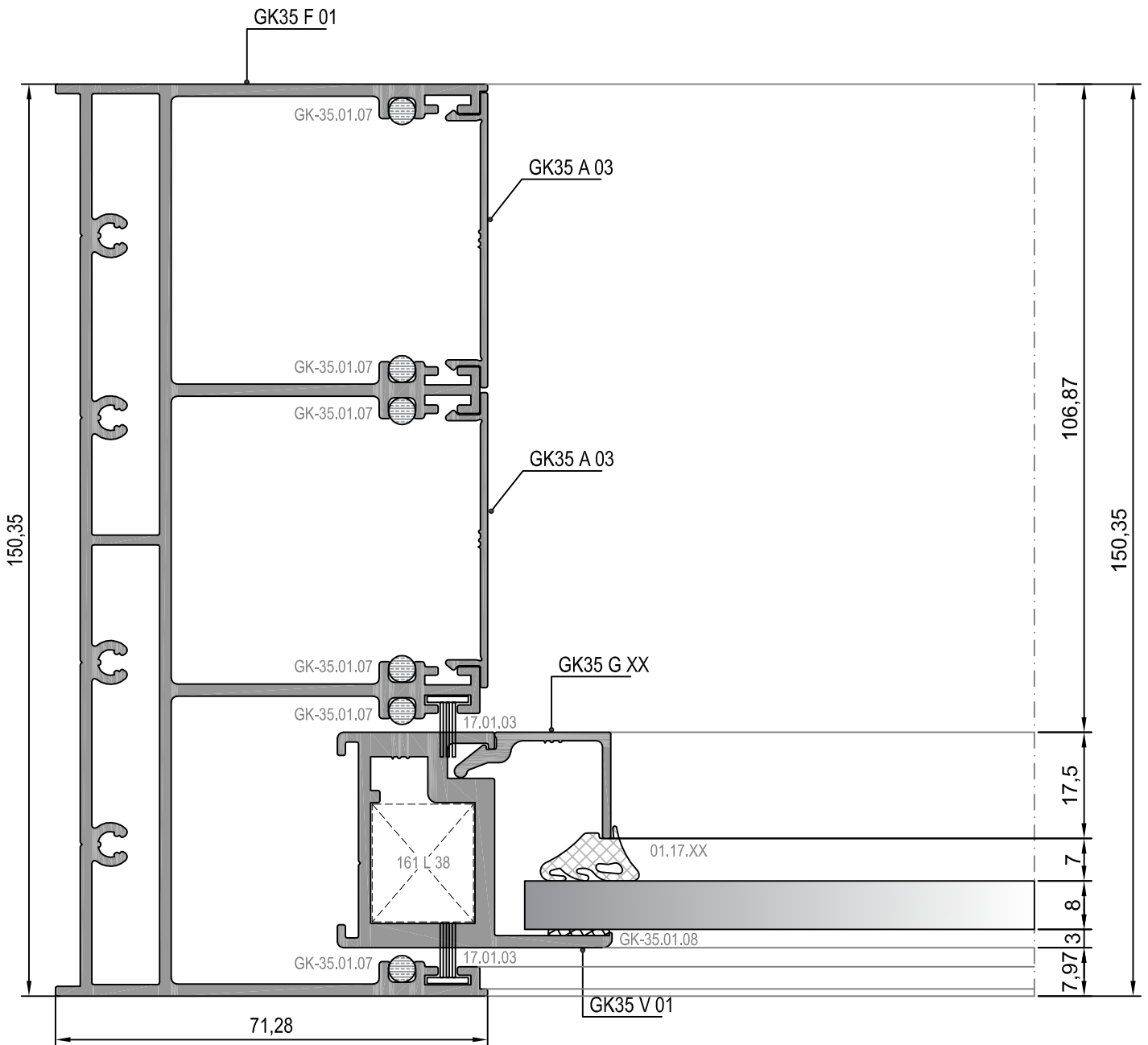
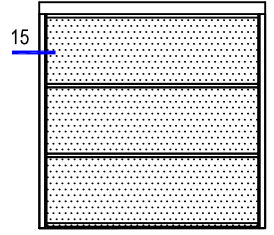
TEK CAMLI DETAYLAR (8 mm)  
SINGLE GLAZED DETAILS (8 mm)



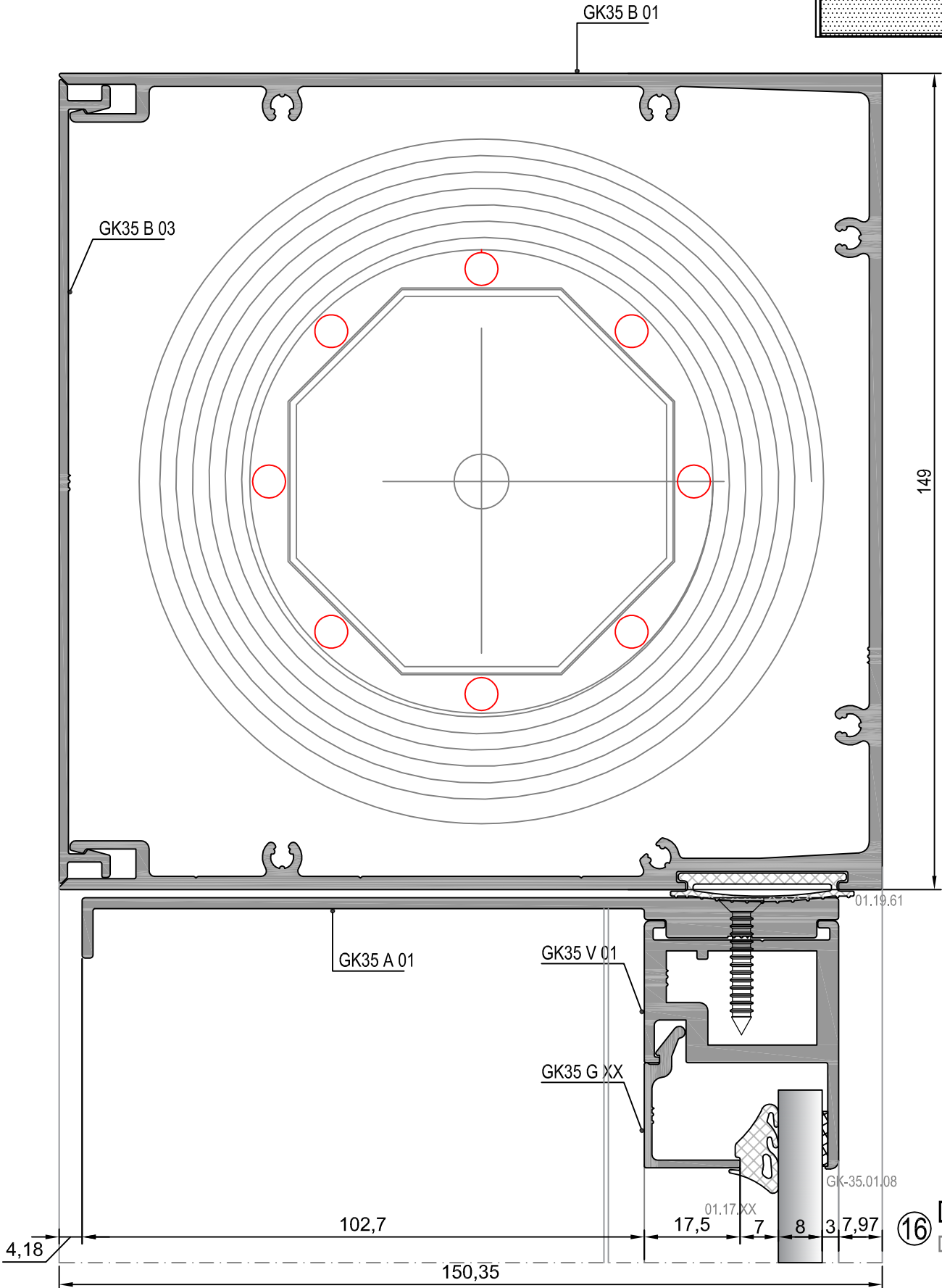
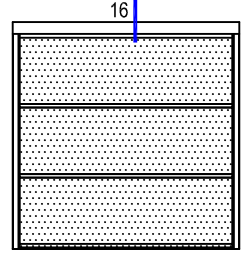
TEK CAMLI DETAYLAR (8 mm)  
SINGLE GLAZED DETAILS (8 mm)



TEK CAMLI DETAYLAR (8 mm)  
SINGLE GLAZED DETAILS (8 mm)



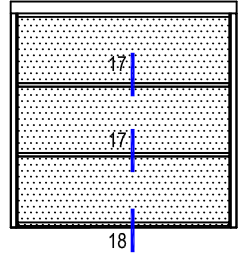
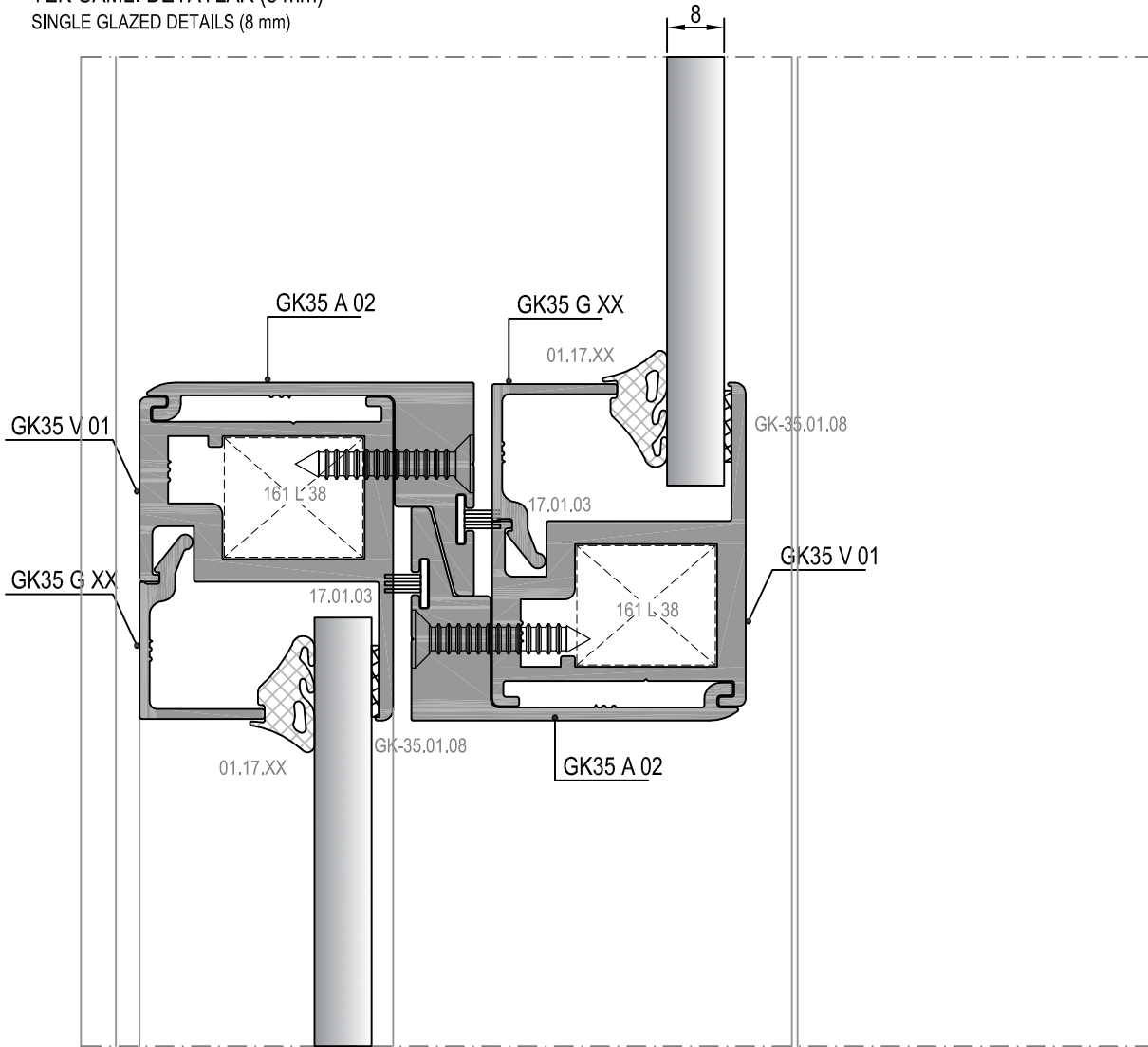
TEK CAMLI DETAYLAR (8 mm)  
SINGLE GLAZED DETAILS (8 mm)



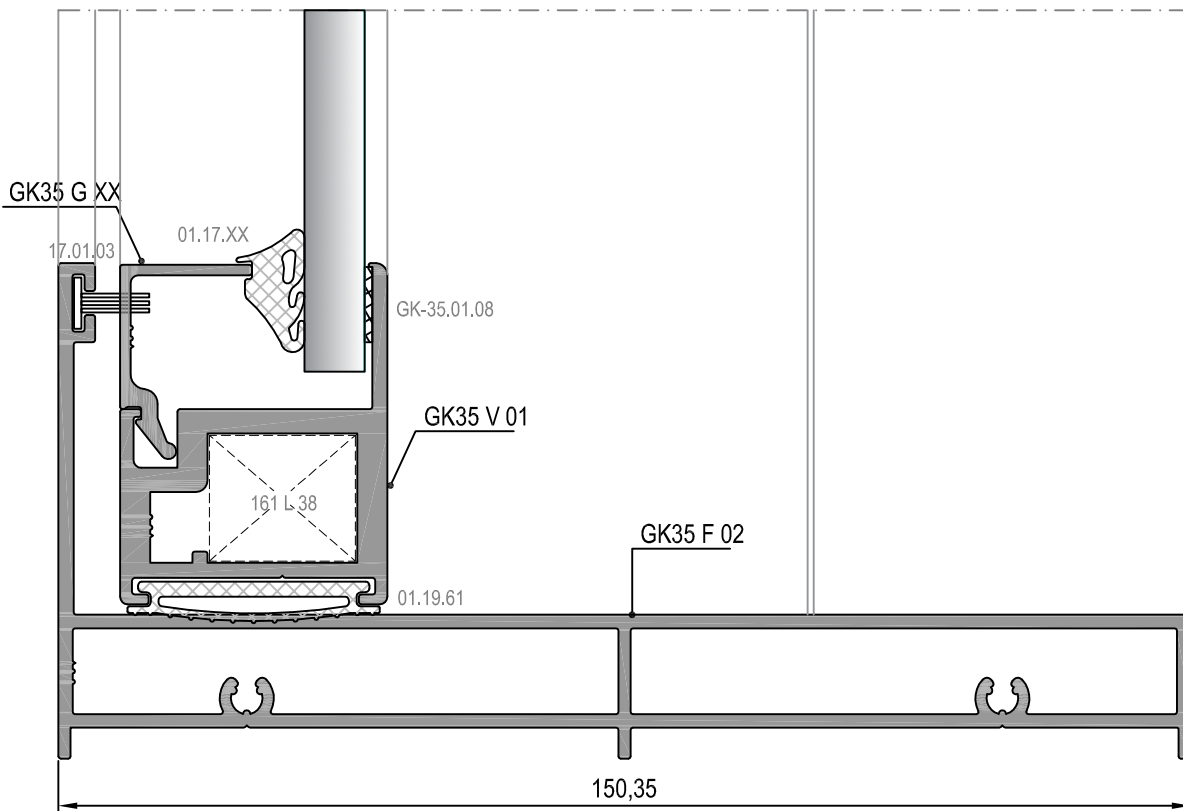
DEAYLAR  
DETAILS

# RGK35


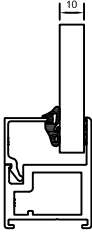

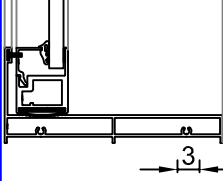
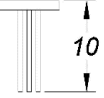
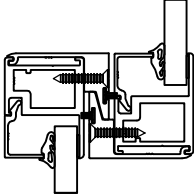

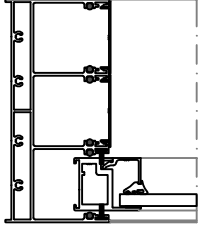

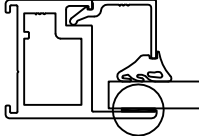
TEK CAMLI DETAYLAR (8 mm)  
SINGLE GLAZED DETAILS (8 mm)


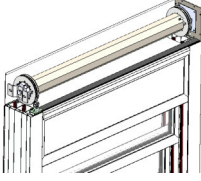
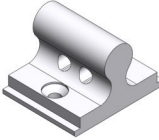
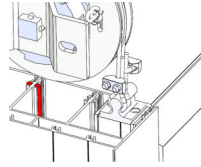
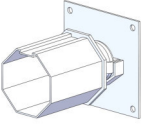
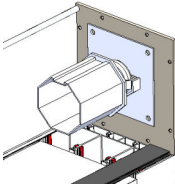


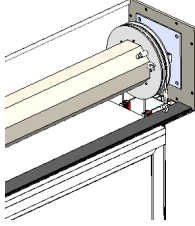


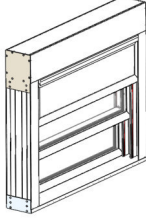

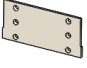


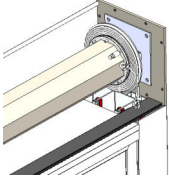

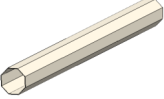
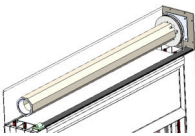



17 DETAYI  
DETAIL



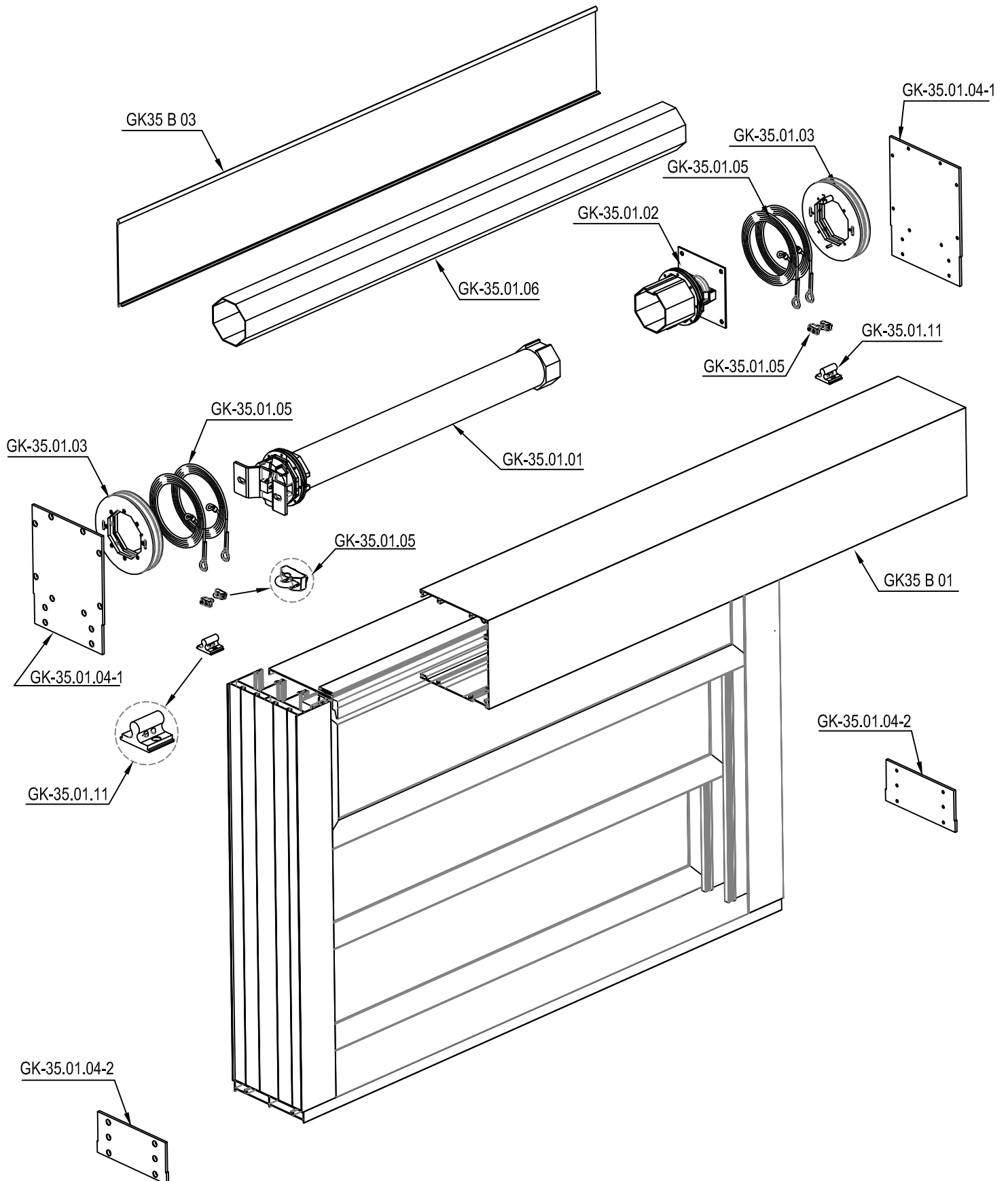
18 DETAYI  
DETAIL

	<p><b>01.17.25</b></p> <p>İÇ CAM FİTİLİ INSIDE GLAZING GASKET</p> <p>Malzeme / Material : EPDM Ağırlık / Weight : 77 gr/m Paket / Package: 194,8 m / 15 kg</p>				
	<p><b>01.19.61</b></p> <p>ALT ÜST KASA FİTİLİ DOWN UP FRAME GASKET</p> <p>Malzeme / Material : EPDM Ağırlık / Weight : 131 gr/m Paket / Package: 114,5 m / 15 kg</p>				
	<p><b>17.01.03</b></p> <p>KİL FİTİL 67x1000 BRUSH</p> <p>Malzeme / Material Polipropilen / Polypropilene Paket / Package: 800 m</p>				
	<p><b>GK-35.01.07</b></p> <p>FİTİL Ø4,5 GASKET Ø4,5</p> <p>Malzeme / Material : Polioksimetilen Paket / Package: 3 m</p>				
	<p><b>GK-35.01.08</b></p> <p>ÇİFT TARAFLI RULO BANT DOUBLE SIDED ROLL TAPE</p> <p>10mmx1mm Paket / Package: 50m</p>				

	<p><b>GK-35.01.01</b></p> <p>NATUROLL TÜP MOTOR NATUROLL TUBE MOTOR</p>			<p><b>GK-35.01.11</b></p> <p>HALAT TAŞIMA PARÇASI ROPE CARRYING PARTS</p>	
	<p><b>GK-35.01.02</b></p> <p>TÜP MOTOR BAĞLANTI AKSESUARI TUBE MOTOR CONNECTION ACCESSORIES Paket/Package: 1 takım</p>			<p><b>GK-35.01.12</b></p> <p>NATUROLL TÜP MOTOR KUMANDASI NATUROLL TUBE MOTOR REMOTE CONTROL</p>	<p>TEK KANALLI VERİCİ TRANSMITTER, SINGLE CHANNEL</p>
	<p><b>GK-35.01.03</b></p> <p>KASNAK GRUBU PULLEY GROUP Paket/Package: 1 takım(2 kasnak grubu)</p>			<p><b>GK-35.01.13</b></p> <p>NATUROLL TÜP MOTOR KUMANDASI NATUROLL TUBE MOTOR REMOTE CONTROL</p>	<p>TEK TEK VEYA GRUP KONTROL ÖZELLİĞİ OLAN 4 KANALLI VERİCİ TRANSMITTER, 4 CHANNELS, INDIVIDUAL AND GROUP CONTROL FUNCTION</p>
	<p><b>GK-35.01.04-1</b></p> <p>YAN KAPAKLAR(üst) SIDE CAPS</p>			<p><b>GK-35.01.14</b></p> <p>NATUROLL TÜP MOTOR KUMANDASI NATUROLL TUBE MOTOR REMOTE CONTROL</p>	<p>TEK TEK VEYA GRUP KONTROL ÖZELLİĞİ OLAN LCD EKANLI 4 KANALLI VERİCİ TRANSMITTER, 4 CHANNELS, LCD DISPLAY, INDIVIDUAL AND GROUP CONTROL FUNCTION</p>
	<p><b>GK-35.01.04-2</b></p> <p>YAN KAPAKLAR(alt) SIDE CAPS</p>			<p><b>GK-35.01.15</b></p> <p>NATUROLL TÜP MOTOR KUMANDASI NATUROLL TUBE MOTOR REMOTE CONTROL</p>	<p>TEK TEK VEYA GRUP KONTROL ÖZELLİĞİ OLAN LCD EKANLI 8 KANALLI VERİCİ TRANSMITTER, 8 CHANNELS, LCD DISPLAY, INDIVIDUAL AND GROUP CONTROL FUNCTION</p>
	<p><b>GK-35.01.05</b></p> <p>ÇELİK HALAT STEEL ROPE Ø3, 4adet x 2,5m Çelik Halat 250 kg dayanıklı</p>			<p><b>GK-35.01.16</b></p> <p>NATUROLL TÜP MOTOR KUMANDASI NATUROLL TUBE MOTOR REMOTE CONTROL</p>	<p>TEK TEK VEYA GRUP KONTROL ÖZELLİĞİ OLAN LCD EKANLI 16 KANALLI VERİCİ TRANSMITTER, 16 CHANNELS, LCD DISPLAY, INDIVIDUAL AND GROUP CONTROL FUNCTION</p>
	<p><b>GK-35.01.06</b></p> <p>TAMBUR BORUSU DRUM PIPE 6500 mm</p>			<p><b>GK-35.01.17</b></p> <p>NATUROLL TÜP MOTOR KUMANDASI NATUROLL TUBE MOTOR REMOTE CONTROL</p>	<p>TEK KANALLI 8 FARKLI AÇMA KAPAMALI ZAMAN AYARLAYICI LCD EKANLI VERİCİ TRANSMITTER, SINGLE CHANNEL, LCD DISPLAY, TIMER FUNCTION, 8 DIFFERENT OPEN&amp;CLOSE TIME</p>







HAREKET MEKANİZMASI SETİ  
MOVEMENT MECHANISM SET

	KOD CODE	TANIM DESCRIPTION	ADET NUMBER	TAKIM SET
1	GK-35.01.01	TÜP MOTOR TUBE MOTOR	1	
2	GK-35.01.02	TÜP MOTOR BAĞLANTI AKSESUARI TUBE MOTOR CONNECTION ACCESSORIES		1
3	GK-35.01.03	KASNAK GRUBU PULLEY GROUP		1
4	GK-35.01.04-1	YAN KAPAKLAR(ÜST) SIDE CAPS (UP)	2	
5	GK-35.01.04-2	YAN KAPAKLAR(ALT) SIDE CAPS (DOWN)	2	
6	GK-35.01.05	ÇELİK HALAT STEEL ROPE	4	
7	GK-35.01.06	TAMBUR BORUSU - 6500 mm DRUM PIPE - 6500 mm	1	
8	GK-35.01.11	HALAT TAŞIMA MEKANİZMASI ROPE CARRYING MECHANISM	2	
9	GK-35.01.07	FİTİL GASKET	12	